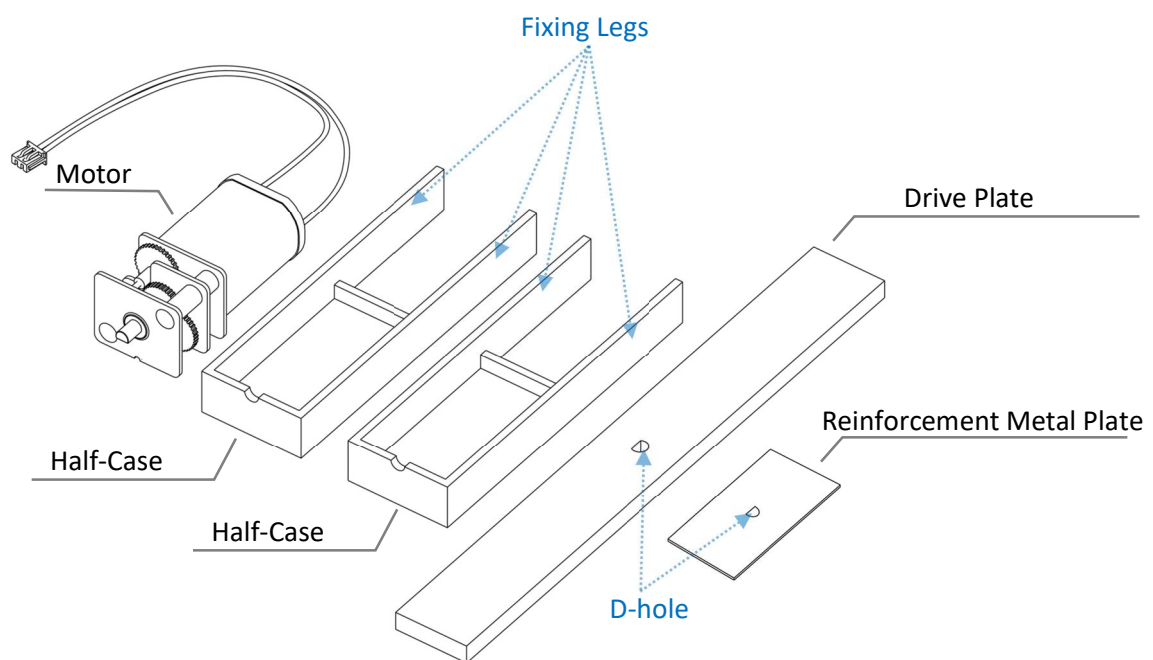


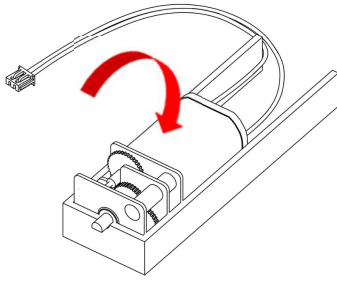
ELEMENT ASSEMBLY

« LARGE MOTOR »

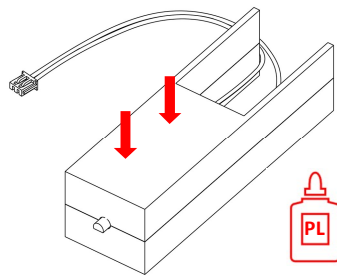


Element « Large Motor » includes:

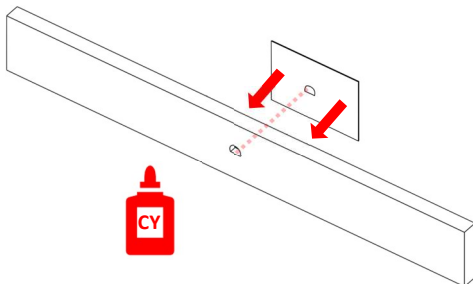
- 1 x Motor
- 1 x Motor Case: 2x Half-Case with Fixing Legs
- 1 x Drive Plate (D-hole in center)
- 1 x Reinforcement Metal Plate (D-hole in center)



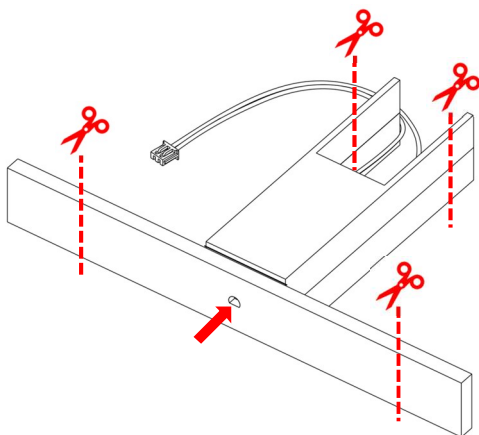
1. Put the Motor into a Half-Case.



2. Place and glue the other Half-Case (plastic cement).



3. Glue the Reinforcement Metal Plate to the Drive Plate (cyanoacrylate glue).



4. Cut the Drive Plate and Fixing Legs to size to fit the assembly in your model.

5. Slide the D-hole of Drive Plate onto the motor shaft, without gluing.